

PERCo BH-01 series

Waist-high Railing Systems for indoor application

Technical Specification

Application:

BH-01 series waist-high railings styled in a complete system design are intended for indoor application and allow to form passageways that meet desired architecture and security requirements.

More than 20 types of elements and standard modules enable to form passageways of any required configuration.

The elegant design presents a secure and stylish solution that can blend into entrances of offices, museums, exhibition centres, leisure facilities, administrative buildings, banks, sport and entertainment facilities, retail outlets, airports, railway and transport terminals, industrial facilities, etc.



standard railing section

Design:

The railings are a modular construction, which consists of vertical posts with welded base flanges and horizontal rails as round tubular steel, completed with coupling fittings and mount fasteners for any angle configurations.

Specially designed reader brackets allow easy surface mounting of any types of readers.

Tinted glass or polycarbonate sheets can be used as decorative filler panels.



standard railing section
with filler panel

Installation:

The railings are easily mounted with anchor bolts on steady concrete floors without fixing elements of the foundation.

Features:

The BH-01 series comes in two basic types of railing sections:

- standard railing sections with and without filler panels designed to form passageways of any required configuration;
- hinged sections of rotary type specially designed to provide unobstructed and fast escape routes in emergency cases, wheelchair access and deliveries of large or bulky items.

The standard railing sections are available up to 1.5m long and 1m high.

The hinged sections are available 1m and 1.2m long, 1m high.



railing section
of rotary type

Materials and Finishes:

Posts:	Ø 50mm polished stainless steel AISI 304
Rails:	Ø 32mm polished stainless steel AISI 304
Post top caps:	plastic with faux chrome finish
Coupling fittings:	plastic, black colour
Filler panels:	tinted glass / polycarbonate sheet



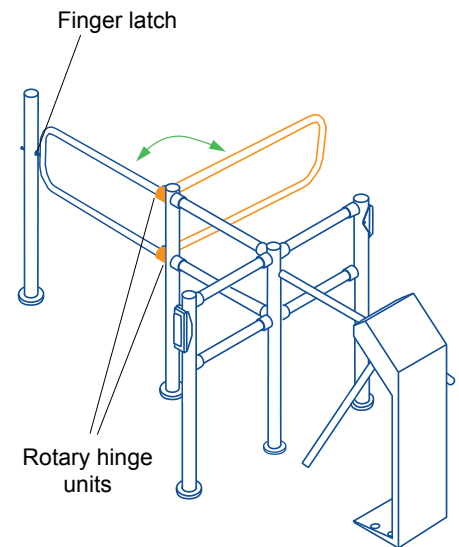
Hinged section of rotary type:

This railing section of rotary type is specially designed to provide unobstructed and fast escape routes in emergency cases.

The unique design allows to use this type of railings as a **mechanical security gate** that offers a passage width up to 1200mm, making it suitable for wheelchair access and deliveries of large or bulky items.

The standard anti-panic section is **hand-operated** and consists of a hinge post, a latch post, two rotary hinge units and a finger latch.

Normally the hinge units are secured. When it is necessary to clear the passageway, the latch can be easily unbolted to allow opening of the hinged gate panel.



Transportation:

The BH-01 railings in the original package should be transported only in closed freight containers or other closed type cargo transport units.

Storage and Operation conditions

The BH-01 railings, in accordance with the resistance to environmental exposure, are compliant with GOST 15150-69, category N3 (operation indoors without artificially controlled climate conditions).

Storage and operation are allowed at ambient temperature range between -45°C and $+40^{\circ}\text{C}$ and relative air humidity up to 75% at $+15^{\circ}\text{C}$.

Ingress Protection Rating: IP54 in accordance with EN 60525.

Warranty:

The manufacturer guarantees the BH-01 railings comply with applicable statutory safety requirements provided that the instructions on storage, installation and use are observed.

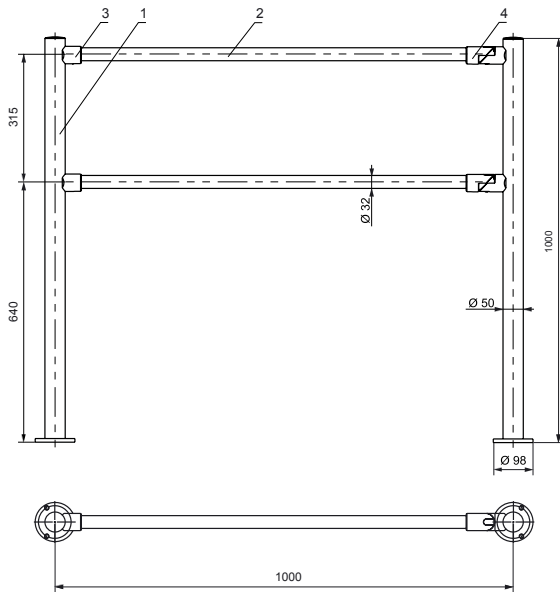
The warranty period is 12 (twelve) months commencing from the date of sale.

Installation Examples



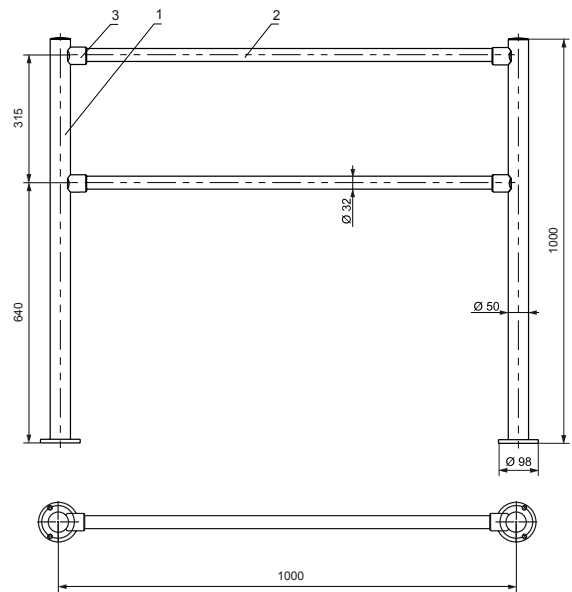
Site Preparation:

General view:



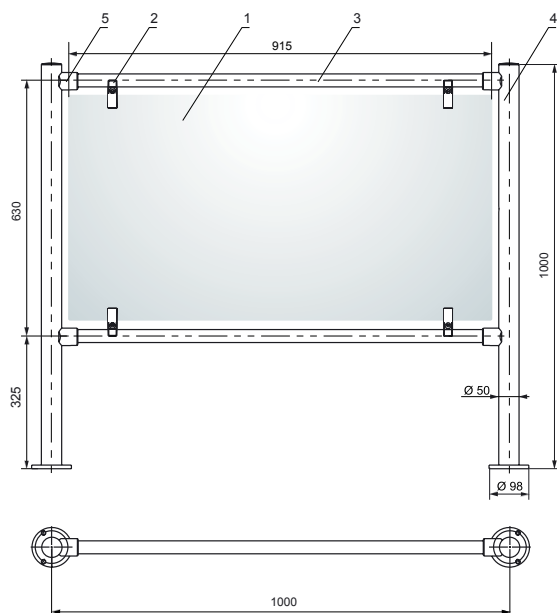
Standard railing section with adjustable coupling fittings:

- 1 – BH01 2-00 double rail end post with base flange;
- 2 – BH01 1-00 rail;
- 3 – BH01 0-00 standard coupling fitting;
- 4 – BH01 0-01 adjustable coupling fitting.



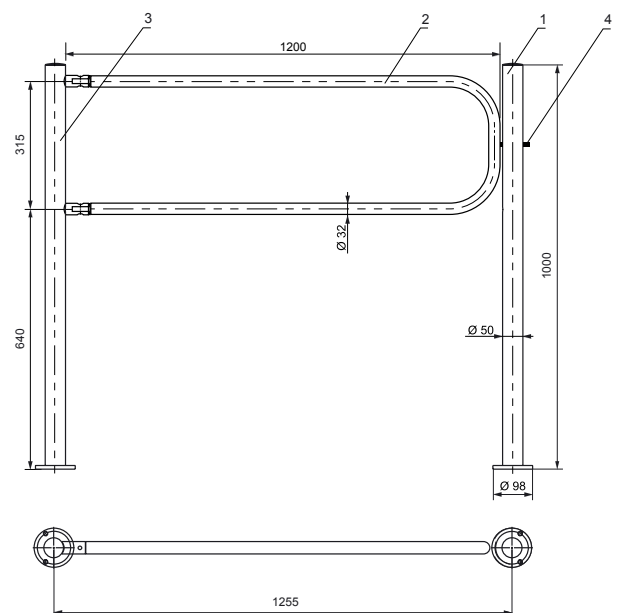
Standard railing section:

- 1 – BH01 2-00 double rail end post with base flange;
- 2 – BH01 1-00 rail;
- 3 – BH01 0-00 standard coupling fitting.



Standard railing section with filler panel:







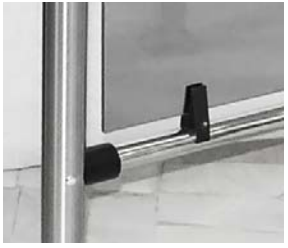

- 1 – filler panel;
- 2 – BH01 0-02 glass clip;
- 3 – BH01 1-00 rail;
- 4 – BH01 2-10 double rail end post with base flange for railings with filler panels;
- 5 – BH01 0-00 standard coupling fitting.



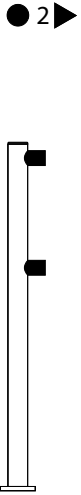
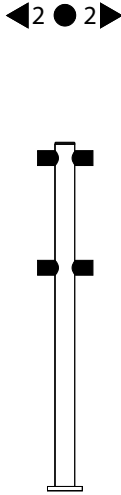
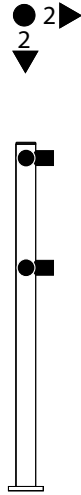
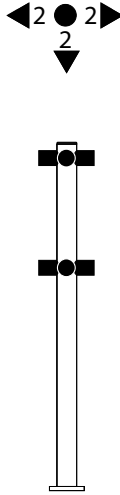
Hinged section of rotary type:

- 1 – BH01 2-04 latch post with base flange;
- 2 – BH01 1-04 hinged panel with joints;
- 3 – BH01 2-00 double rail end post with base flange;
- 4 – finger latch.


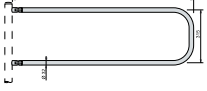
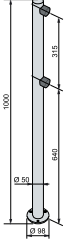
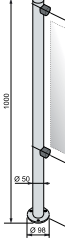
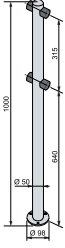
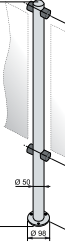
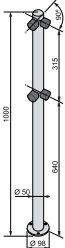

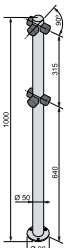

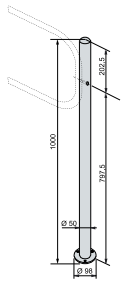
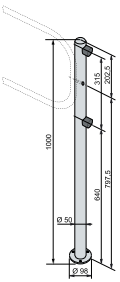
BH-01 Fittings and Fastening elements:

			
<p>BH01 0-00 standard coupling fitting with fasteners</p>	<p>BH01 0-01 adjustable coupling fitting with fasteners</p>	<p>BH01 0-02 glass clip with fasteners</p>	<p>Rotary hinged unit with fasteners</p>
			

BH-01 Standard Post Configurations:

			
<p>End</p>	<p>Center</p>	<p>Corner</p>	<p>T-shaped (tee)</p>

BH-01 Standard Railing Nomenclature:

View	Article	Description	View	Article	Description
	BH01 1-00 BH01 1-01	Round tubular rail - 915 mm long - 1415 mm long		BH01 1-04 BH01 1-05	Hinged panel with joints - 1000 mm long - 1200 mm long
ATTENTION! Coupling fittings are not included in the post set and shown for information only.					
	BH01 2-00	Double rail end post completed with base flange and top cap for standard railings		BH01 2-10	Double rail end post completed with base flange and top cap for railings with filler panels
	BH01 2-01	Double rail centre post completed with base flange and top cap for standard railings; 180° angle arrangement		BH01 2-11	Double rail centre post completed with base flange and top cap for railings with filler panels; 180° angle arrangement
	BH01 2-02	Double rail corner post completed with base flange and top cap for standard railings; 90° angle arrangement		BH01 2-12	Double rail corner post completed with base flange and top cap for railings with filler panels; 90° angle arrangement
	BH01 2-03	Double rail tee post completed with base flange and top cap for standard railings; T-arrangement		BH01 2-13	Double rail tee post completed with base flange and top cap for railings with filler panels; T-arrangement
	BH01 2-04	Latch post with base flange for single hinged section		BH01 2-05	Double rail latch post with base flange for hinged section; adjustable arrangement

The below table helps to select all necessary railing components to meet specific requirements of project layouts and interior design:

Railing systems	Description	Qty.
 <p>top view</p>	Two-post standard railing system, 1000/1500 mm long	
BH01 2-00	Double rail end post with base flange, for standard railings	2
BH01 1-00 / BH01 1-01	Round tubular rail, 915 / 1415 mm long (at choice)	2
BH01 0-00	Standard coupling fitting with fasteners	4
 <p>top view</p>	Two-post railing system with filler panel, 1000/1500 mm long	
BH01 2-10	Double rail end post with base flange, for railings with filler panels	2
BH01 1-00 / BH01 1-01	Round tubular rail, 915 / 1415 mm long (at choice)	2
BH01 0-00	Standard coupling fitting with fasteners	4
on order	Filler panel	1
BH01 0-02	Glass clip	4
 <p>top view</p>	Railing system with hinged section, 1000/1200 mm long	
BH01 2-00	Double rail end post with base flange, for standard railings	1
BH01 2-04	Latch post with base flange	1
BH01 1-02 / BH01 1-03	Hinged panel with joints, 1000 / 1200 mm long (at choice)	1
 <p>top view</p>	Three-post standard railing system	
BH01 2-00	Double rail end post with base flange, for standard railings	2
BH01 2-01	Double rail centre post with base flange, 180° angle arrangement	1
BH01 1-00 / BH01 1-01	Round tubular rail, 915 / 1415 mm long (at choice)	4
BH01 0-00	Standard coupling fitting with fasteners	8
 <p>top view</p>	Three-post railing system with filler panels	
BH01 2-10	Double rail end post with base flange, for railings with filler panels	2
BH01 2-11	Double rail centre post with base flange, for railings with filler panels; 180° angle arrangement	1
BH01 1-00 / BH01 1-01	Round tubular rail, 915 / 1415 mm long (at choice)	4
BH01 0-00	Standard coupling fitting with fasteners	8
on order	Filler panel	2
BH01 0-02	Glass clip	8
 <p>top view</p>	Three-post standard railing system, L-arrangement	
BH01 2-00	Double rail end post with base flange, for standard railings	2
BH01 2-02	Double rail corner post with base flange, for standard railings; 90° angle arrangement	1
BH01 1-00 / BH01 1-01	Round tubular rail, 915 / 1415 mm long (at choice)	4
BH01 0-00	Standard coupling fitting with fasteners	8

Railing systems	Description	Qty.
 <p>top view</p>	Three-post railing system with filler panels, L-arrangement	
BH01 2-10	Double rail end post with base flange, for railings with filler panels	2
BH01 2-12	Double rail corner post with base flange, for railings with filler panels; 90° angle arrangement	1
BH01 1-00 / BH01 1-01	Round tubular rail, 915 / 1415 mm long (at choice)	4
BH01 0-00	Standard coupling fitting with fasteners	8
on order	Filler panel	2
BH01 0-02	Glass clip	8
 <p>top view</p>	Three-post standard railing system, T-arrangement	
BH01 2-00	Double rail end post with base flange, for standard railings	3
BH01 2-03	Double rail tee post with base flange, for standard railings; T-arrangement	1
BH01 1-00 / BH01 1-01	Round tubular rail, 915 / 1415 mm long (at choice)	4
BH01 0-00	Standard coupling fitting with fasteners	8
 <p>top view</p>	Three-post railing system with filler panels, T-arrangement	
BH01 2-10	Double rail end post with base flange, for railings with filler panels	3
BH01 2-13	Double rail tee post with base flange, for railings with filler panels; T-arrangement	1
BH01 1-00 / BH01 1-01	Round tubular rail, 915 / 1415 mm long (at choice)	4
BH01 0-00	Standard coupling fitting with fasteners	8
on order	Filler panel	3
BH01 0-02	Glass clip	12
 <p>top view</p>	Three-post standard railing system, adjustable arrangement	
BH01 2-00	Double rail end post with base flange, for standard railings	2
BH01 2-01	Double rail centre post with base flange, 180° angle arrangement	1
BH01 1-00 / BH01 1-01	Round tubular rail, 915 / 1415 mm long (at choice)	4
BH01 0-00	Standard coupling fitting with fasteners	6
BH01 0-01	Adjustable coupling fitting with fasteners	2
 <p>top view</p>	Three-post railing system with filler panels, adjustable arrangement	
BH01 2-10	Double rail end post with base flange, for railings with filler panels	2
BH01 2-11	Double rail centre post with base flange, for railings with filler panels; 180° angle arrangement	1
BH01 1-00 / BH01 1-01	Round tubular rail, 915 / 1415 mm long (at choice)	4
BH01 0-00	Standard coupling fitting with fasteners	6
BH01 0-01	Adjustable coupling fitting with fasteners	8
on order	Filler panel	2
BH01 0-02	Glass clip	12

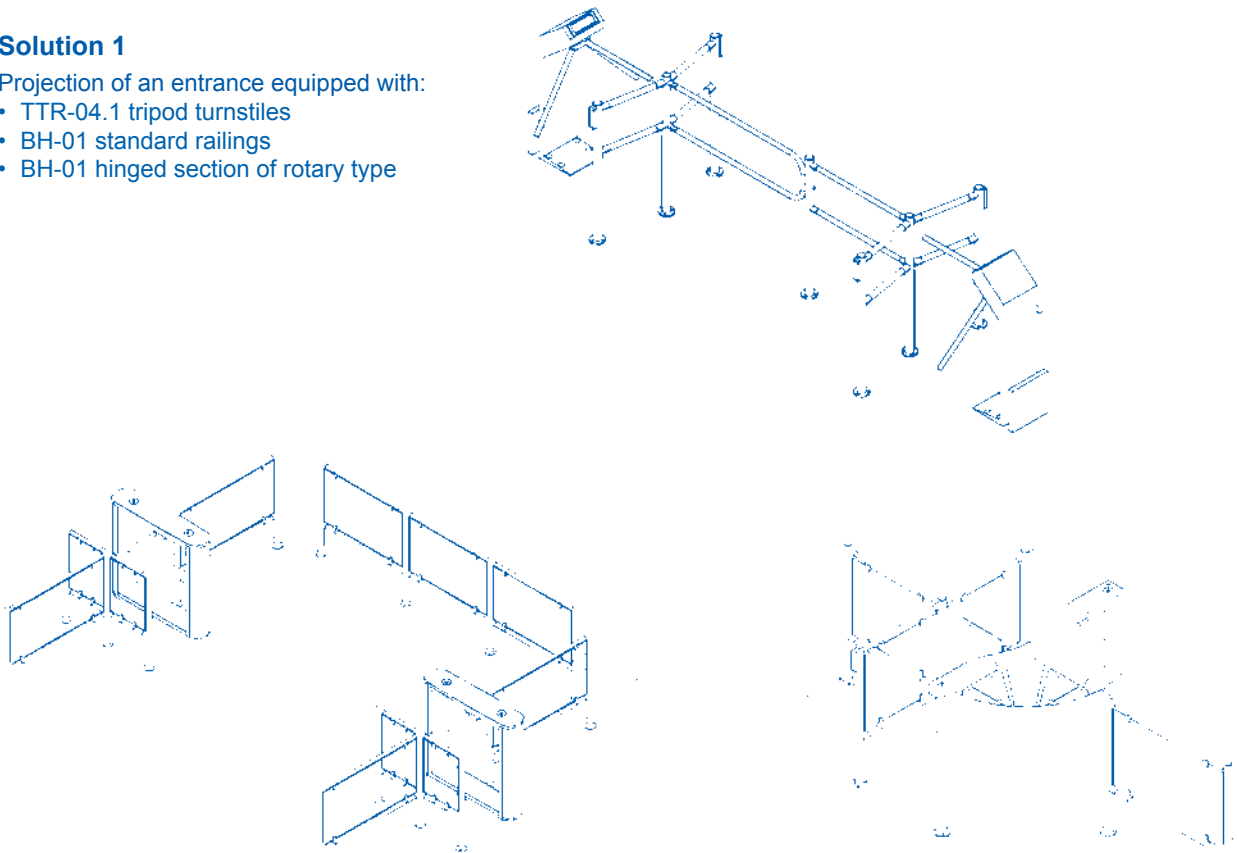
Entrance projection:

When considering PERCo entrance control products for your projects, you are welcome to contact our specialists for a free projection that will help you make an optimal product choice, get your calculations right and better comprehend the realized entrance layout.

Solution 1

Projection of an entrance equipped with:

- TTR-04.1 tripod turnstiles
- BH-01 standard railings
- BH-01 hinged section of rotary type



Solution 2

Projection of an entrance equipped with:

- TTD-03.1 tripod turnstiles
- BH-01 railings with filler panels

Solution 3

Projection of an entrance equipped with:

- RTD-03S waist-high rotor turnstile
- BH-01 railings with filler panels



Quality since 1988

Tel: +7 (812) 321 6172,
+7 (812) 329 8924, +7 (812) 329 8925
Fax: +7 (812) 516 4876

e-mail: export@perco.ru (product and price information)

support@perco.ru (technical support)

www.percoweb.com

Postal address:

PERCo, P.O. Box 87, Saint Petersburg,
194295, Russia

Excellent integration of PERCo turnstiles and gates with matching railing systems enables to make the entrance style complete, arrange additional emergency exits, and design passageways to meet desired architecture and security requirements.

Visit our web photo gallery to see examples of entry points equipped with a wide range of PERCo entrance control products.

